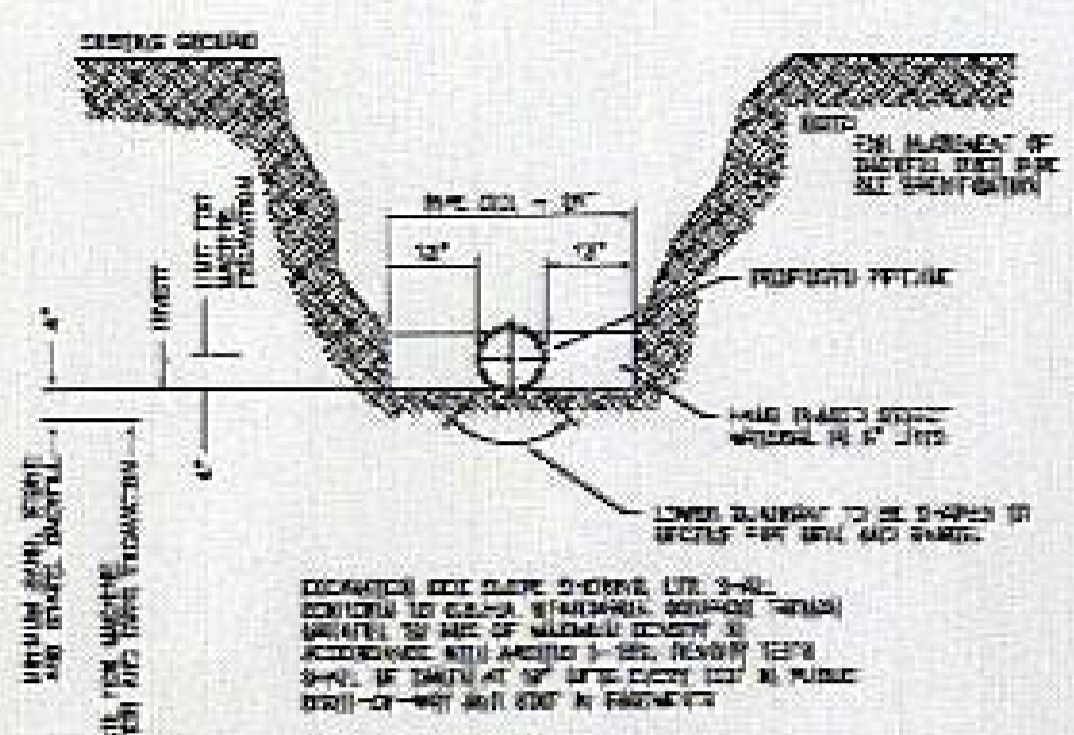


Symbols
Approved May 22, 2002

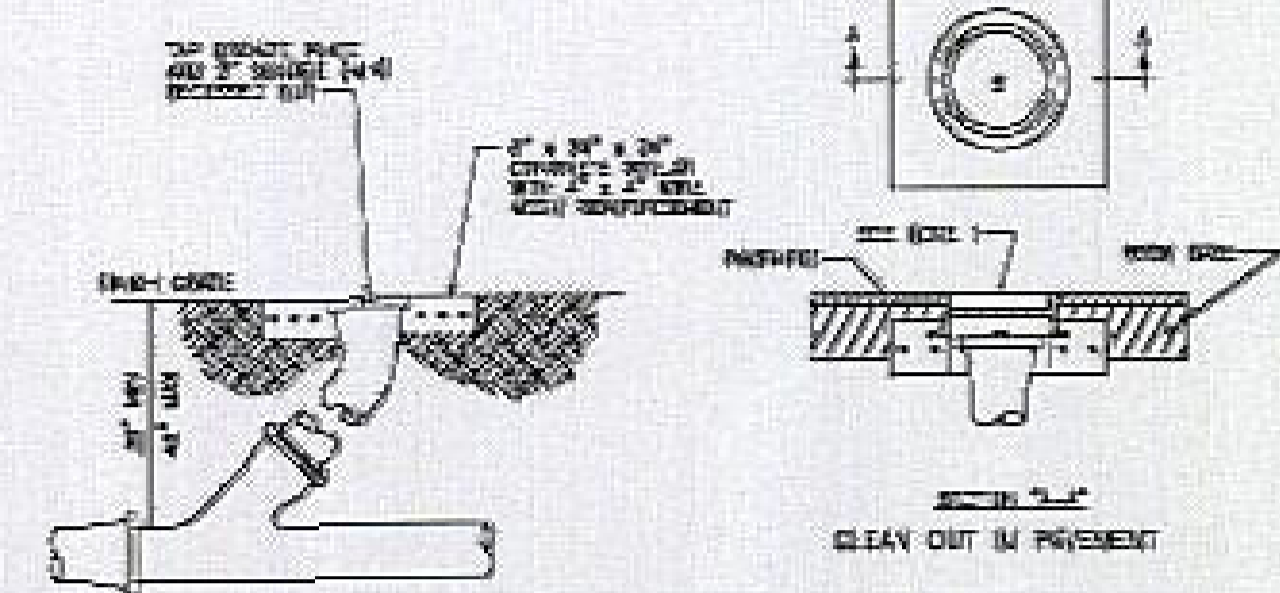
STANDARD WATER, RECLAIMED WATER AND SEWER SEPARATION STATEMENT

1. WATER SERVICE...
2. RECLAIMED WATER...
3. SEWER SERVICE...
4. SEWER SERVICE...
5. SEWER SERVICE...
6. SEWER SERVICE...

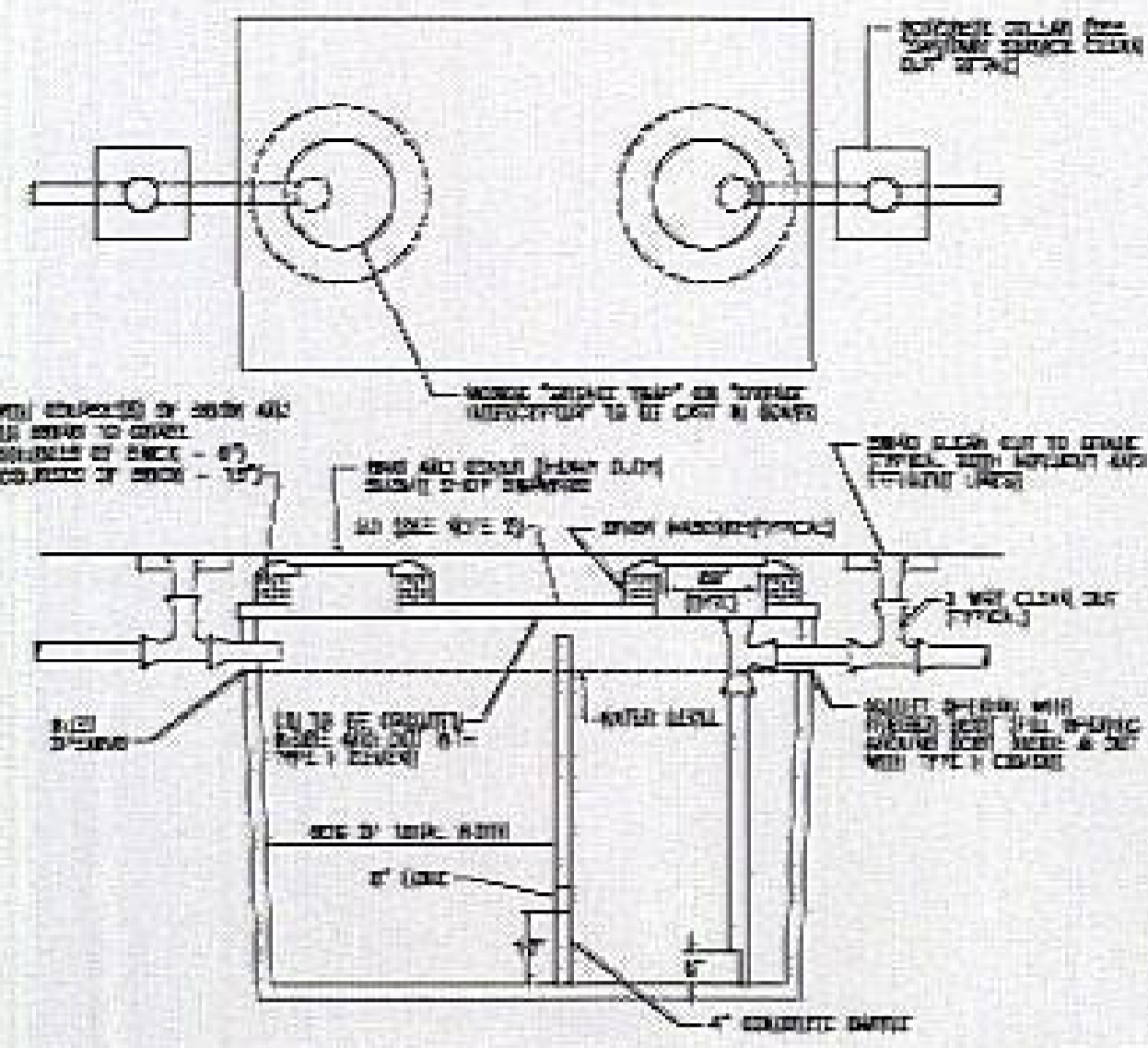
Water, Reclaimed Water and Sewer Separation Statement
Approved July 23, 2002



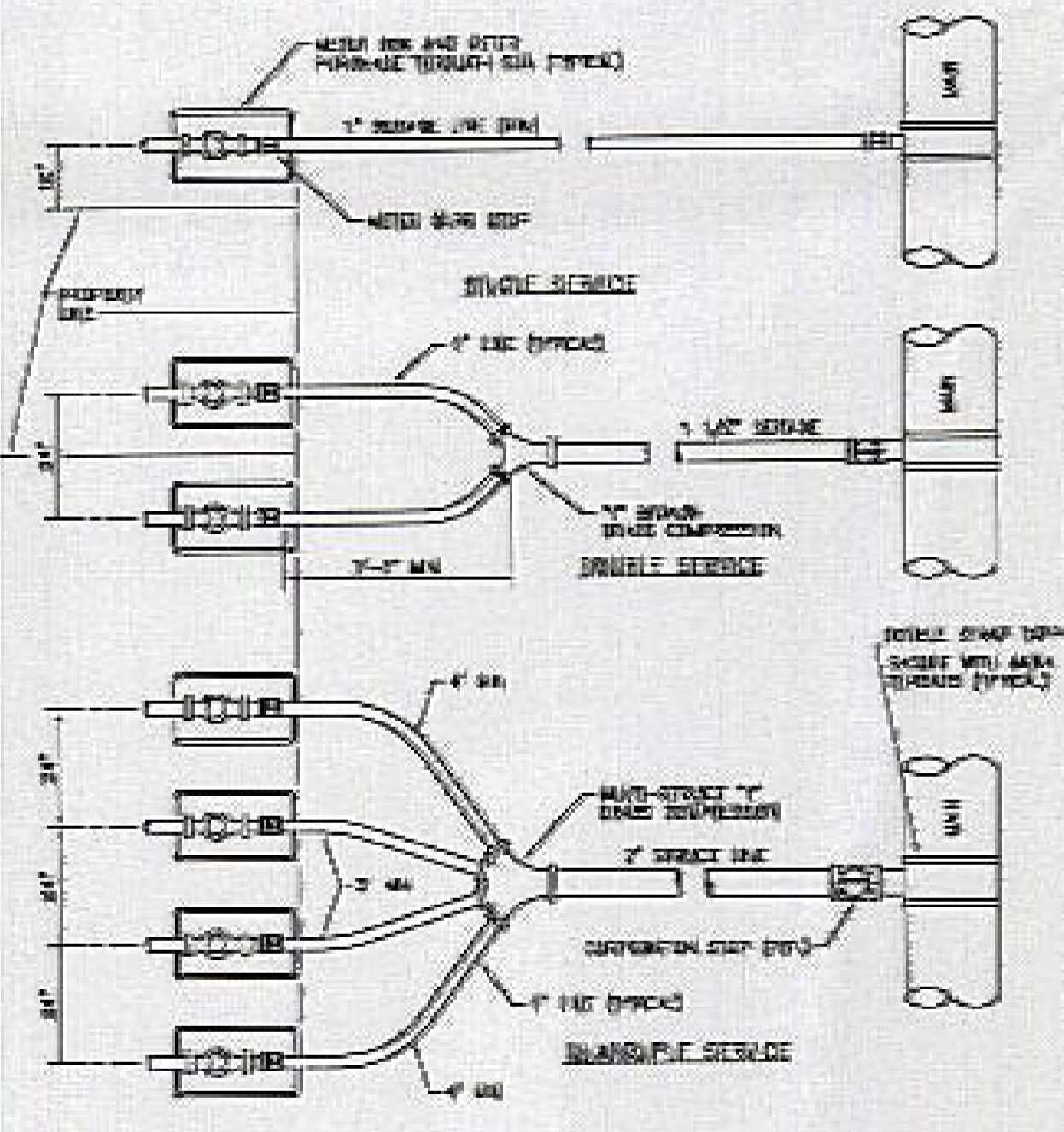
Standard Trenching Procedure
Approved July 22, 2002



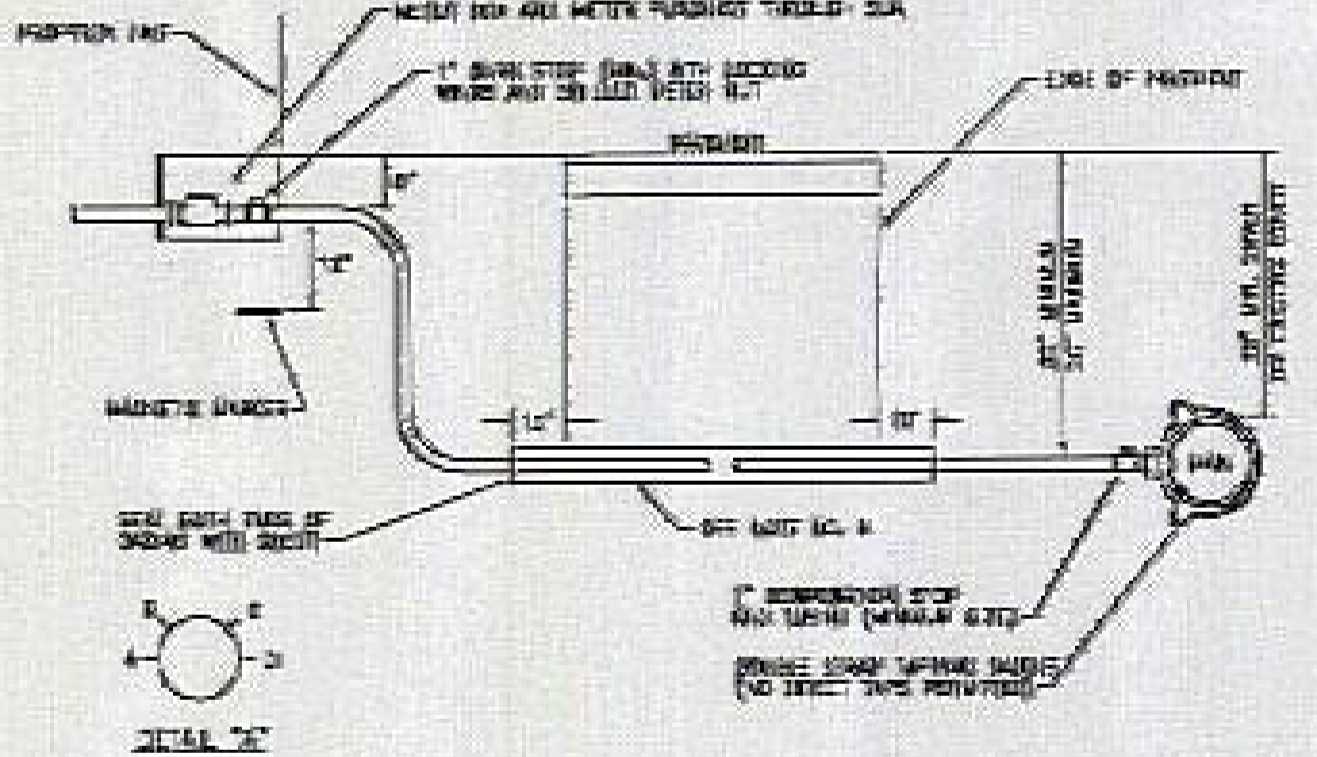
Sanitary Service Clean Out
Approved May 22, 2002



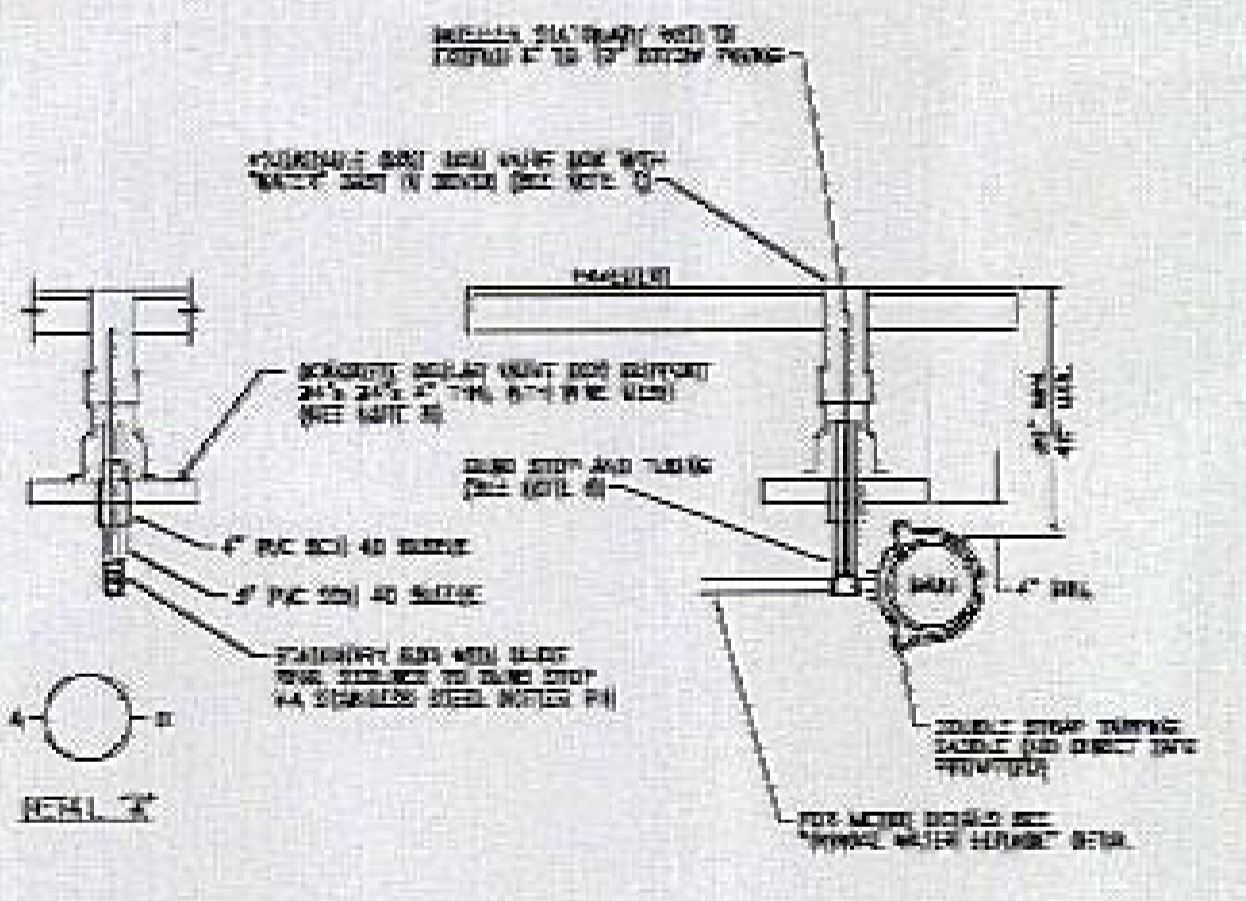
Grease Trap
Approved July 23, 2002



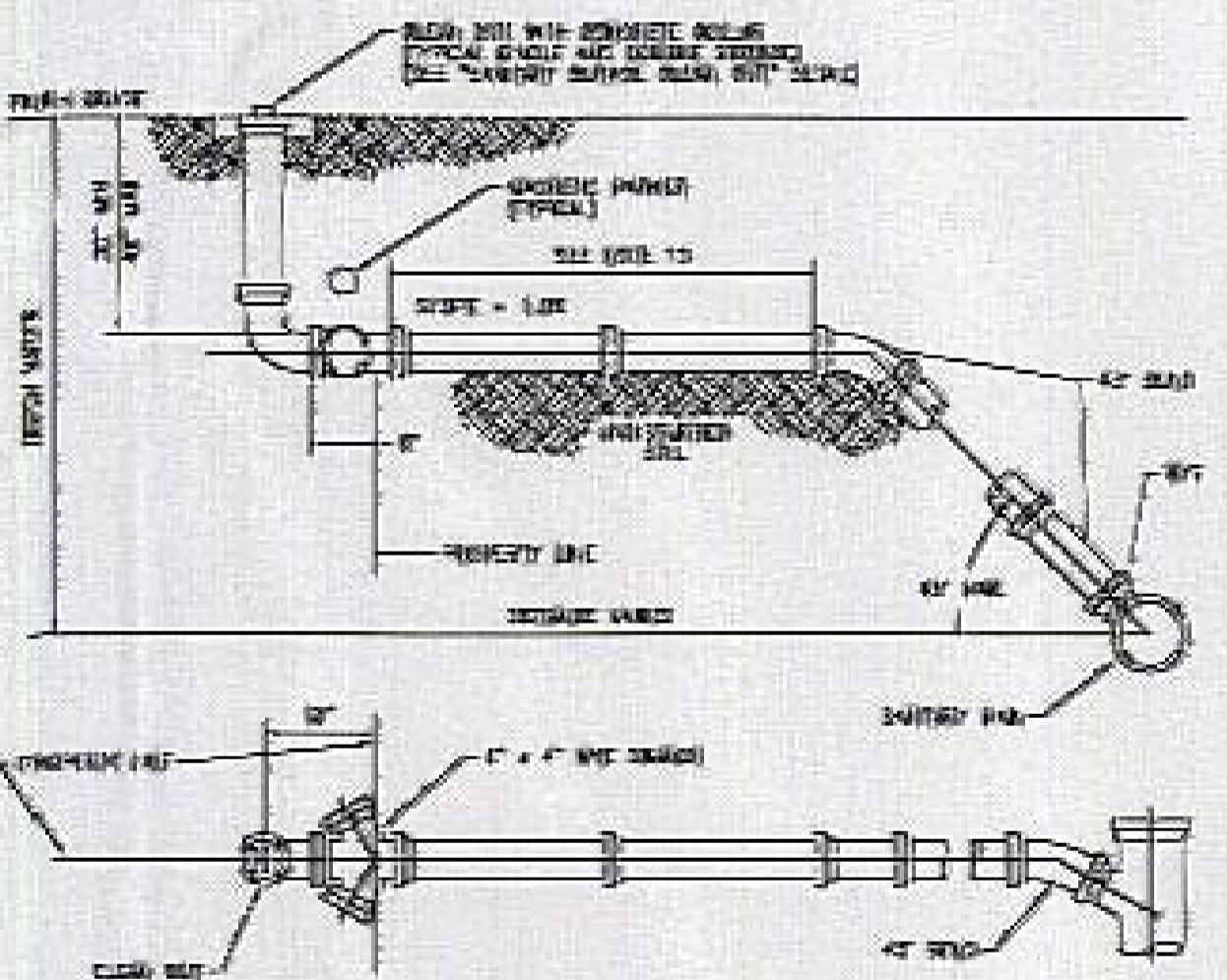
Typical Water Service
Approved May 22, 2002



Typical Water Service Installation
Approved May 22, 2002



Water Service Tap Under Pavement
Approved May 22, 2002



Sewer Service Connection (Wye Branch)
Approved May 22, 2002