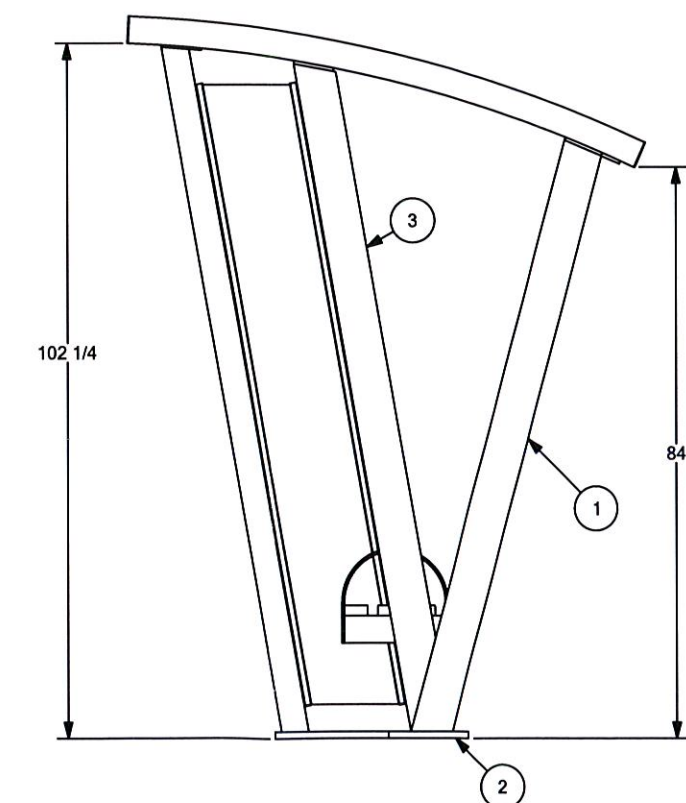


PARTS LIST				
ITEM	QTY	PART NUMBER	MATERIAL	DESCRIPTION
1	2	LAKEPARK-4001-00	STEEL	RECT. TUBE, 6 X 4 X 1/4, 90° LONG
2	1	LAKEPARK-4002-00	STEEL	PLATE, 1" X 6" X 12"
3	2	LAKEPARK-4003-00	STEEL	RECT. TUBE, 6 X 4 X 1/4, 99 3/4" LONG
4	6	LAKEPARK-4004-00	STEEL	SQUARE TUBE, 2" X 2" X 0.250, 74 1/2" LONG
5	5	LAKEPARK-4005-00	STEEL	PLATE, 1/2" X 6" X 12"
6	5	LAKEPARK-4006-00	STEEL	PLATE, 1/2" X 6" X 12"
7	2	LAKEPARK-4007-00	STEEL	SQUARE TUBE, 2" X 2" X 0.250, 120" LONG
8	1	LAKEPARK-4008-00	STEEL	SQUARE TUBE, 4" X 4" X 0.250, 103" LONG
9	1	LAKEPARK-4009-00	STEEL	PLATE, 1" X 6" X 27 17/32"
10	2	LAKEPARK-4011-00	STEEL	PLATE, 1" X 4" X 8"
11	2	LAKEPARK-4012-00	STEEL	RECT. TUBE, 4 X 2 X 1/4, 89 5/32" LONG
12	2	LAKEPARK-4013-00	STEEL	PLATE, 1/2" X 4" X 8"
13	3	LAKEPARK-4014-00	STEEL	RECT. TUBE, 4 X 2 X 1/4, 16" LONG
14	2	LAKEPARK-4015-00	STEEL	PLATE, 1/2" X 2" X 8"
15	5	LAKEPARK-4016-00	STEEL	BOARD, SEAT, 2 X 4 X 76" LG
16	3	LAKEPARK-4017-00	STEEL	BAR, FLAT, 3/8 X 2, 31 9/16" LONG
17	3	LAKEPARK-4018-00	STEEL	PERFORATED SHEET
18	1	LAKEPARK-4019-00	LEXAN	LEXAN PANEL, 1/4" THK
19	2	LAKEPARK-4020-00	STEEL	SHEET, 11GA. (.125) X 4" X 120"
20	2	LAKEPARK-4021-00	STEEL	SHEET, 11GA. (.125) X 78 3/32" X 18 5/8"
21	5	LAKEPARK-4023-00	STEEL	ROOF PANEL



NOTE: ALL STEEL TO BE POWDER COATED



Spencer Fabrications, Inc.
25911 County Road 561
Tavares, FL 32778

GLIDDENSPINA
+ PARTNERS

Architecture · Interior Design
John Glidden & Associates · Keith M. Spina & Associates
207 SOUTH STREET
WEST PALM BEACH, FLORIDA 33401
561.684.6044 · Fax: 561.684.5584
gliddenspina.com
P.L.L.C. # 140802289

SERVICE WRITE UP REMODEL FOR:
EARL STEWART TOYOTA
1215 U.S. HIGHWAY NO. 1
LAKE PARK, FLORIDA 33403

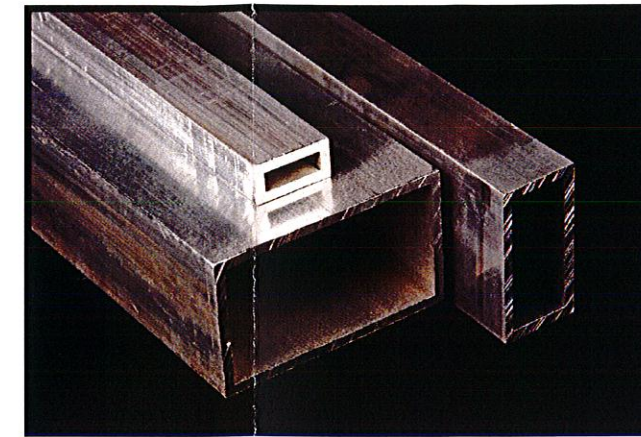
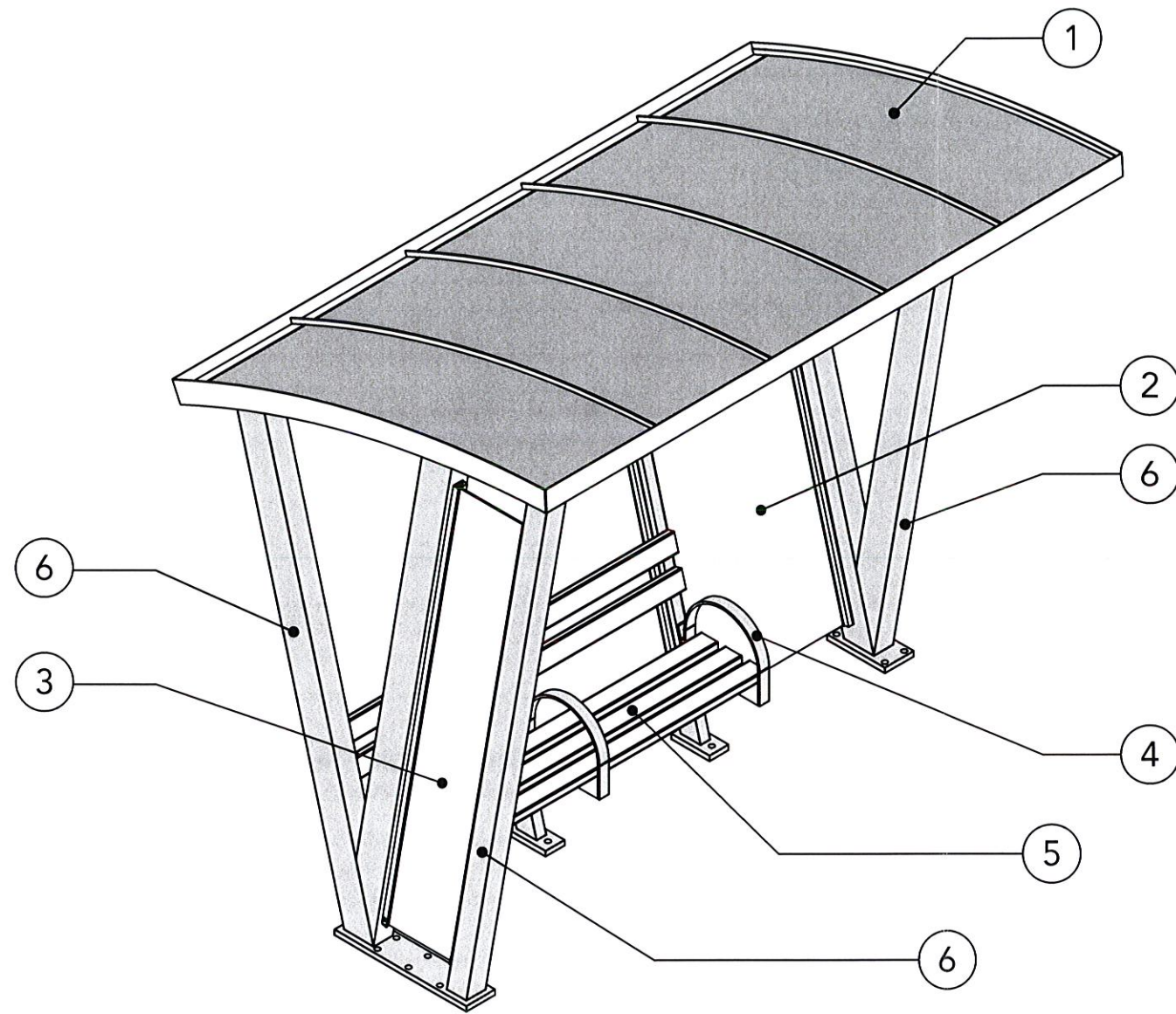
THESE DRAWINGS ARE FOR THE EXCLUSIVE USE OF EARL STEWART TOYOTA. ANY REPRODUCTION, REPLICATION OR USE IN ANY MANNER WITHOUT THE EXPRESS WRITTEN CONSENT OF GLIDDENSPINA + PARTNERS, INC. ALL RIGHTS RESERVED.

Revisions:

Project no: 13106
Date: 11/21/2019
Drawn by: MA/B
Project Architect: DB
Partner: KS

N
E
S
W

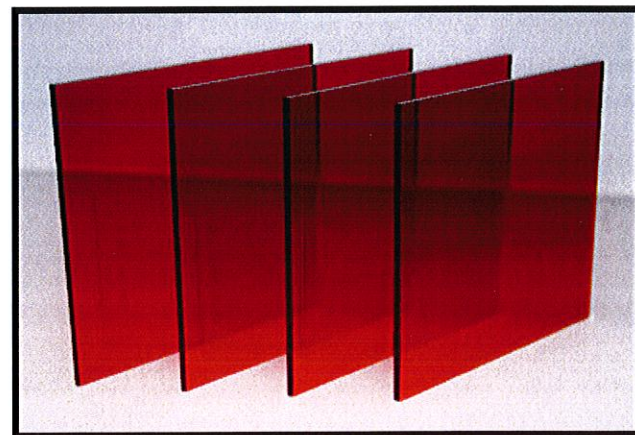
B5-1



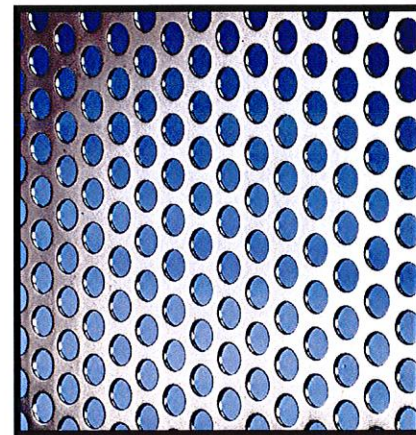
6 - Steel Tubes



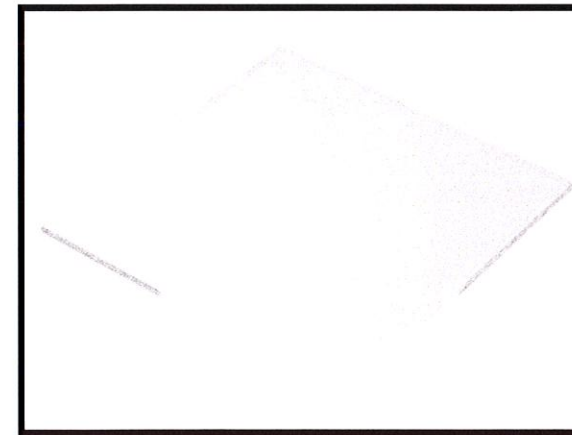
5 - Wood Bench



1 - Red Lexan Roof Panels



2 - Perforated Metal Back Panels



3 - Clear Lexan Side Panel



4 - Flat Bar

BS-2