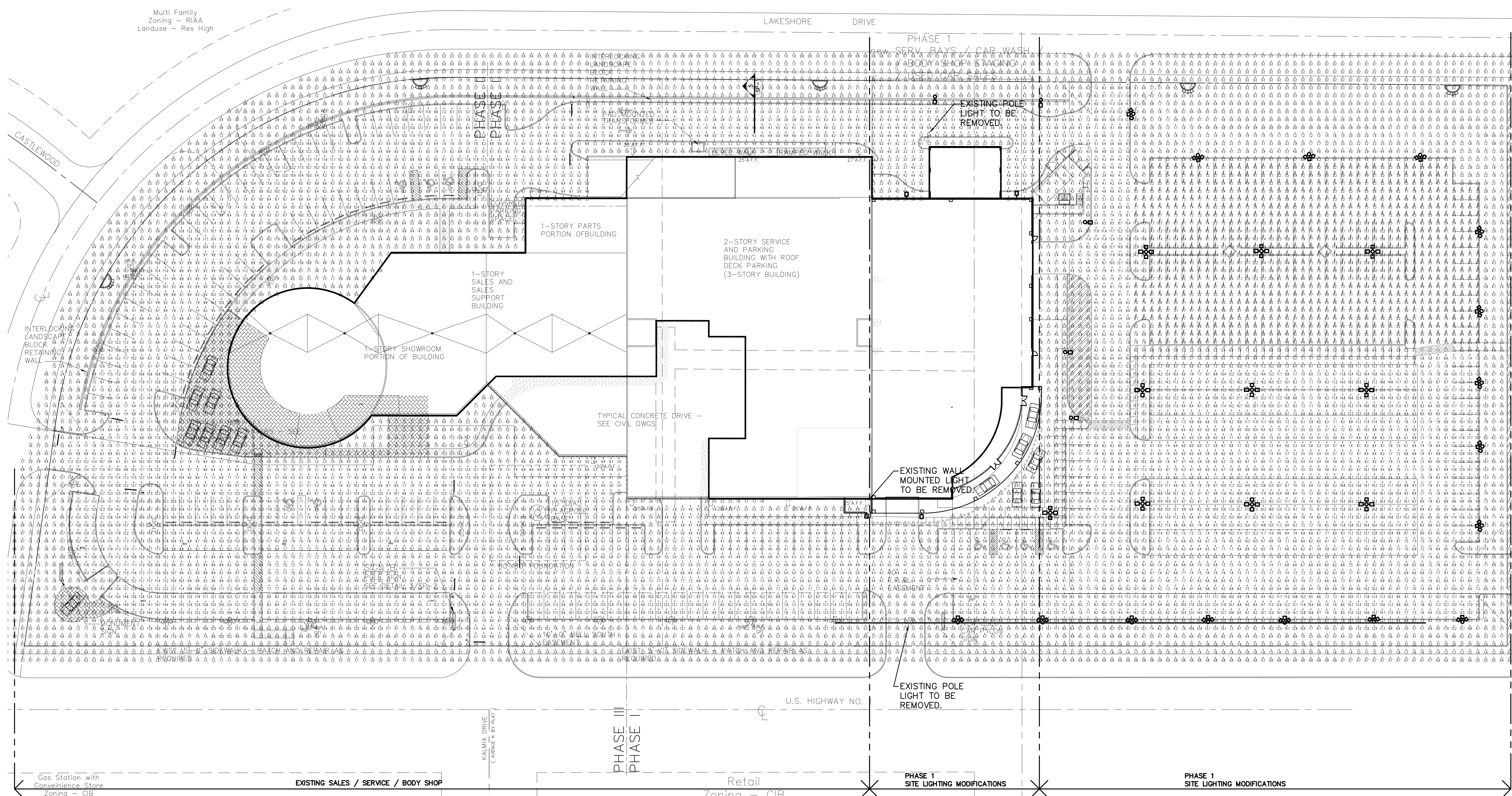


Multi Family  
Zoning R1A  
Landuse - Res High

LAKESHORE DRIVE

PHASE 1  
SERV BAYS / CAR WASH  
BODY SHOP & TUNING



1401 FORUM WAY, SUITE #00  
WEST PALM BEACH, FLORIDA 33401  
561.684.6844 • Fax 561.684.5594  
gliddenspina.com  
FL Lic. # A28002399

**GLIDDENSPINA**  
+ PARTNERS

Architecture • Interior Design  
John Glidden # A6636 • Keith M. Spina # AR1349

DEALERSHIP EXPANSION FOR:  
**EARL STEWART TOYOTA**

1215 U.S. HIGHWAY NO. 1  
LAKE PARK, FLORIDA

THESE DRAWINGS ARE FOR THE EXCLUSIVE USE OF GLIDDEN SPINA + PARTNERS, INC. AND MAY NOT BE REPRODUCED, REPHOTOCOPIED OR USED IN ANY MANNER WITHOUT THE EXPRESS WRITTEN CONSENT OF GLIDDEN SPINA + PARTNERS, INC. ALL RIGHTS RESERVED.

**PHOTOMETRIC SITE PLAN**  
SCALE : 1"=30'-0"

- LEGEND**
- NEW SITE LIGHTING POLE TYPE 'A' (SEE DETAIL ON SHEET E-3)
  - NEW SITE LIGHTING POLE TYPE 'B' (SEE DETAIL ON SHEET E-3)
  - NEW SITE LIGHTING POLE TYPE 'C' (SEE DETAIL ON SHEET E-3)
  - NEW SITE LIGHTING WALL MOUNT
  - EXISTING SITE LIGHTING POLE TYPE 'A'
  - EXISTING SITE LIGHTING POLE TYPE 'B'
  - EXISTING SITE LIGHTING POLE TYPE 'C'
  - EXISTING SITE LIGHTING WALL MOUNT

**LIGHTING CALCULATIONS**

CALCULATION SUMMARY									
AREA NAME	# PTS	LLF	SPAC	GROUP	AVE	MAX	MIN	MAX/MIN	AVE/MIN
New Parking Area	4953	0.86	5.00	<F>	9.32	28.55	2.63	10.86	3.55
New Temp Parking Area	974	0.86	5.00	<F>	7.81	28.48	3.22	8.85	2.42

LARRY M. SMITH, P.E.  
Seal / FLORIDA REGISTRATION NO. 45997

**SEC** Smith Engineering  
Consultants, Inc.  
State Auth. #8228  
2161 Palm Beach Lake Blvd., Suite 312  
West Palm Beach, FL 33409  
(561) 616-3911 fax (561) 616-3912

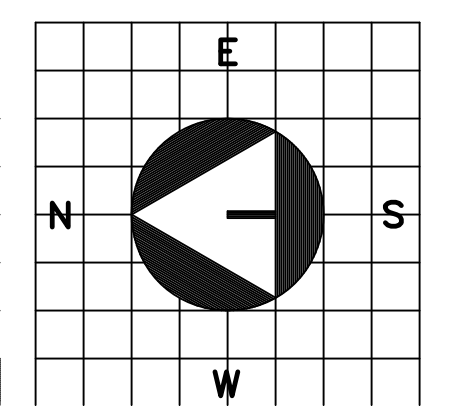
Sheet title: PHASE 1 - PHOTOMETRIC SITE PLAN  
File name: S14041-E1-E3.dwg

Revisions:  
Project no: 13106  
Date: 03/14/14  
Drawn by: SPH  
Checked by: LMS

**PHASE 1  
PHOTOMETRIC SITE PLAN**

PHASE 1 -  
PROPOSED INITIATION DATE - 1 YEAR

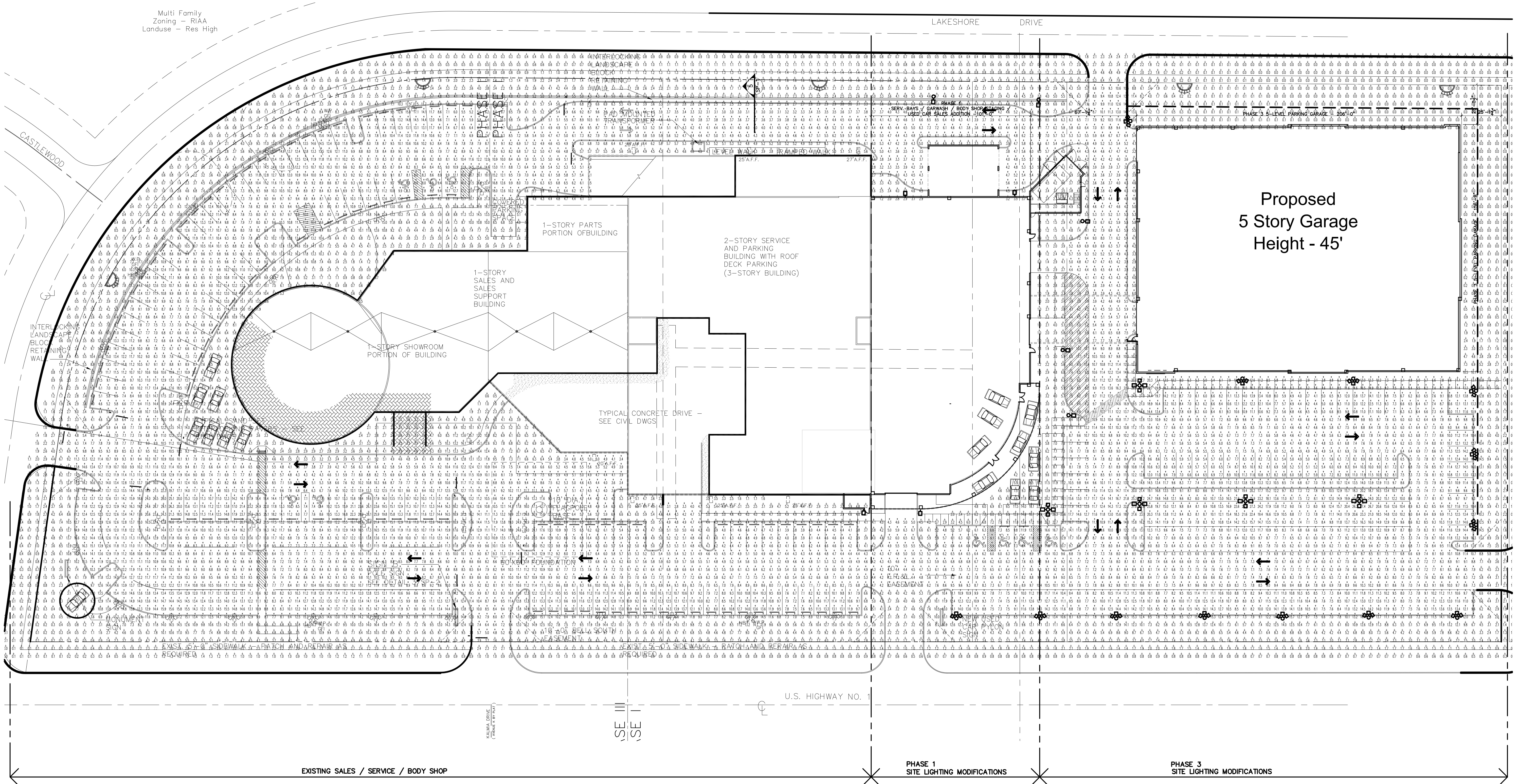
SCALE : 1"=30'-0"  
0 15' 30' 60' 120'



**PH-1  
E-1**

Multi Family  
Zoning - R1AA  
Landuse - Res High

LAKESHORE DRIVE



Proposed  
5 Story Garage  
Height - 45'

**PHOTOMETRIC SITE PLAN**

SCALE : 1"=30'-0"

**LEGEND**

- NEW SITE LIGHTING POLE TYPE 'A'  
(SEE DETAIL ON SHEET E-3)
- NEW SITE LIGHTING POLE TYPE 'B'  
(SEE DETAIL ON SHEET E-3)
- NEW SITE LIGHTING POLE TYPE 'C'  
(SEE DETAIL ON SHEET E-3)
- NEW SITE LIGHTING WALL MOUNT
- EXISTING SITE LIGHTING POLE TYPE 'A'
- EXISTING SITE LIGHTING POLE TYPE 'B'
- EXISTING SITE LIGHTING POLE TYPE 'C'
- EXISTING SITE LIGHTING WALL MOUNT

**LIGHTING CALCULATIONS**

AREA NAME	# PTS	LLF	SPAC	GROUP	AVE	MAX	MIN	MAX/MIN	AVE/MIN
New Parking Area	4868	0.86	5.00	<+>	9.03	28.55	2.65	10.77	3.41

LARRY M. SMITH, P.E.  
Seal / FLORIDA REGISTRATION NO. 45997

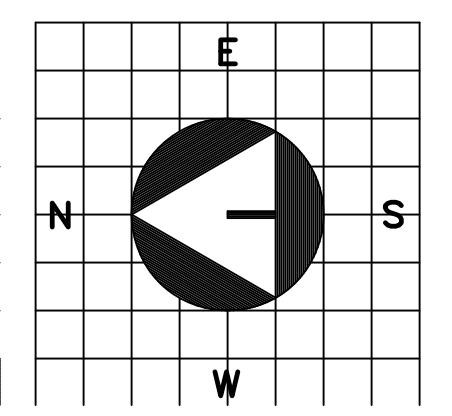


2161 Palm Beach Lake Blvd., Suite 312  
West Palm Beach, FL 33409  
(561) 616-3911 fax (561) 616-3912

**PHASE 3  
PHOTOMETRIC SITE PLAN**

PHASE 3 -  
PROPOSED INITIATION DATE - 10 YEARS

SCALE : 1"=30'-0"



DEALERSHIP EXPANSION FOR:  
**EARL STEWART TOYOTA**

1215 U.S. HIGHWAY NO. 1  
LAKE PARK, FLORIDA

THESE DRAWINGS ARE FOR THE EXCLUSIVE USE OF GLIDDEN SPINA + PARTNERS, INC. AND MAY NOT BE REPRODUCED, REPRODUCED OR USED IN ANY MANNER WITHOUT THE EXPRESS WRITTEN CONSENT OF GLIDDEN SPINA + PARTNERS, INC. ALL RIGHTS RESERVED.

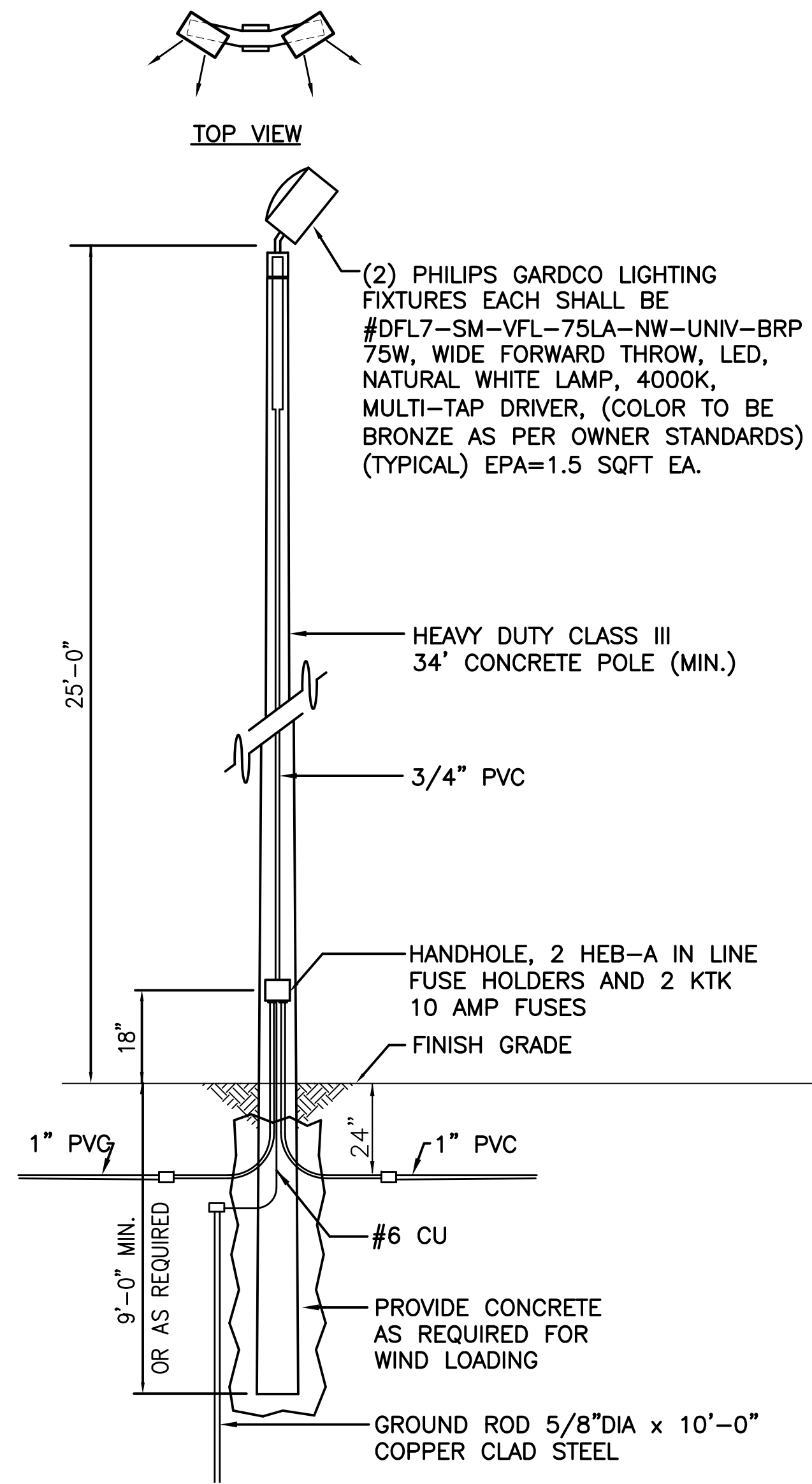
Sheet title: PHASE 3-PHOTOMETRIC SITE PLAN  
File name: S14041-E1-E3.dwg  
Project no: 13106  
Date: 03/14/14  
Drawn by: SPH  
Checked by: LMS

**PH-3  
E-2**

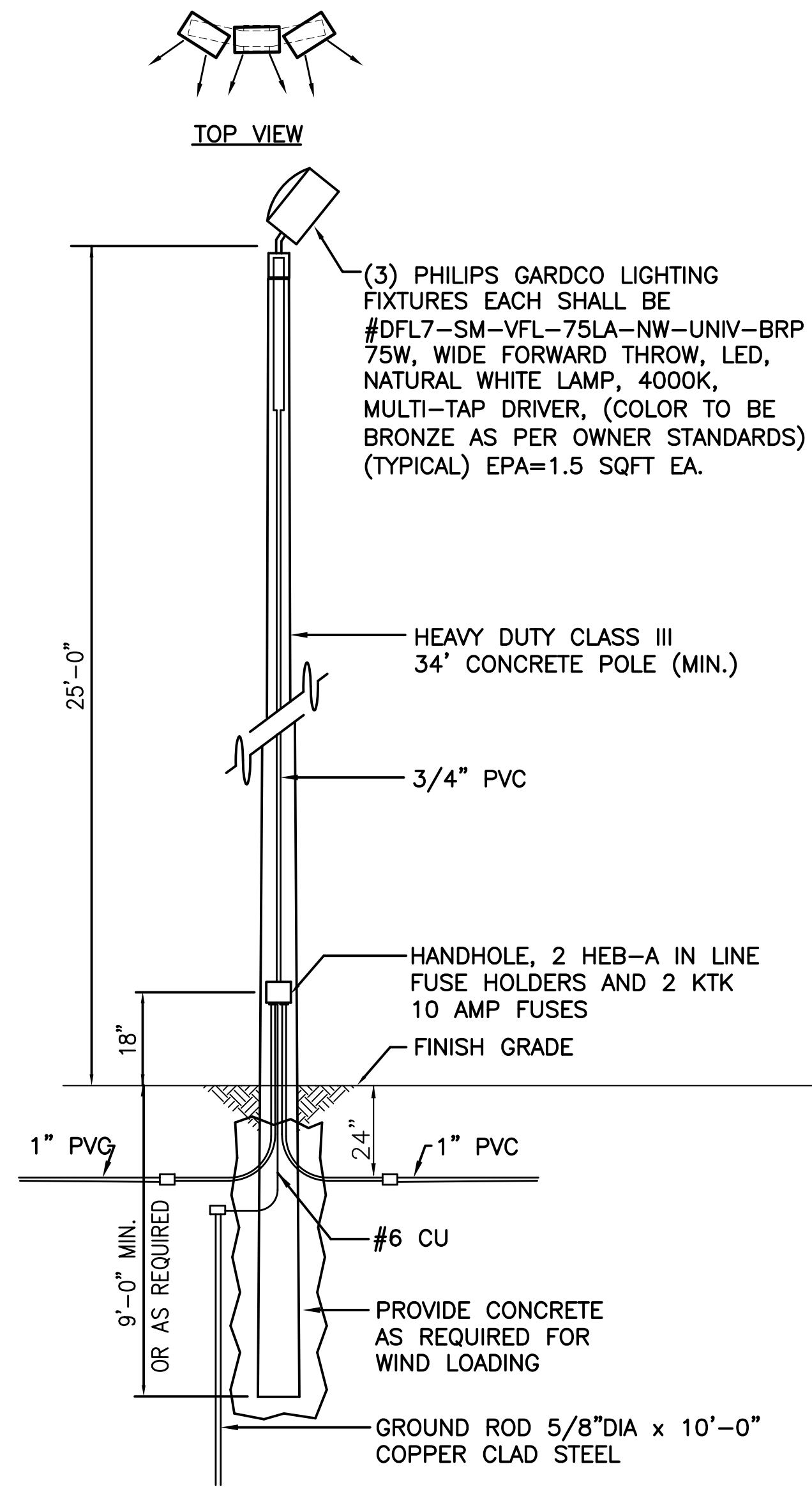


Architecture · Interior Design  
John Glidden # 46636 · Keith M. Spina # 461349

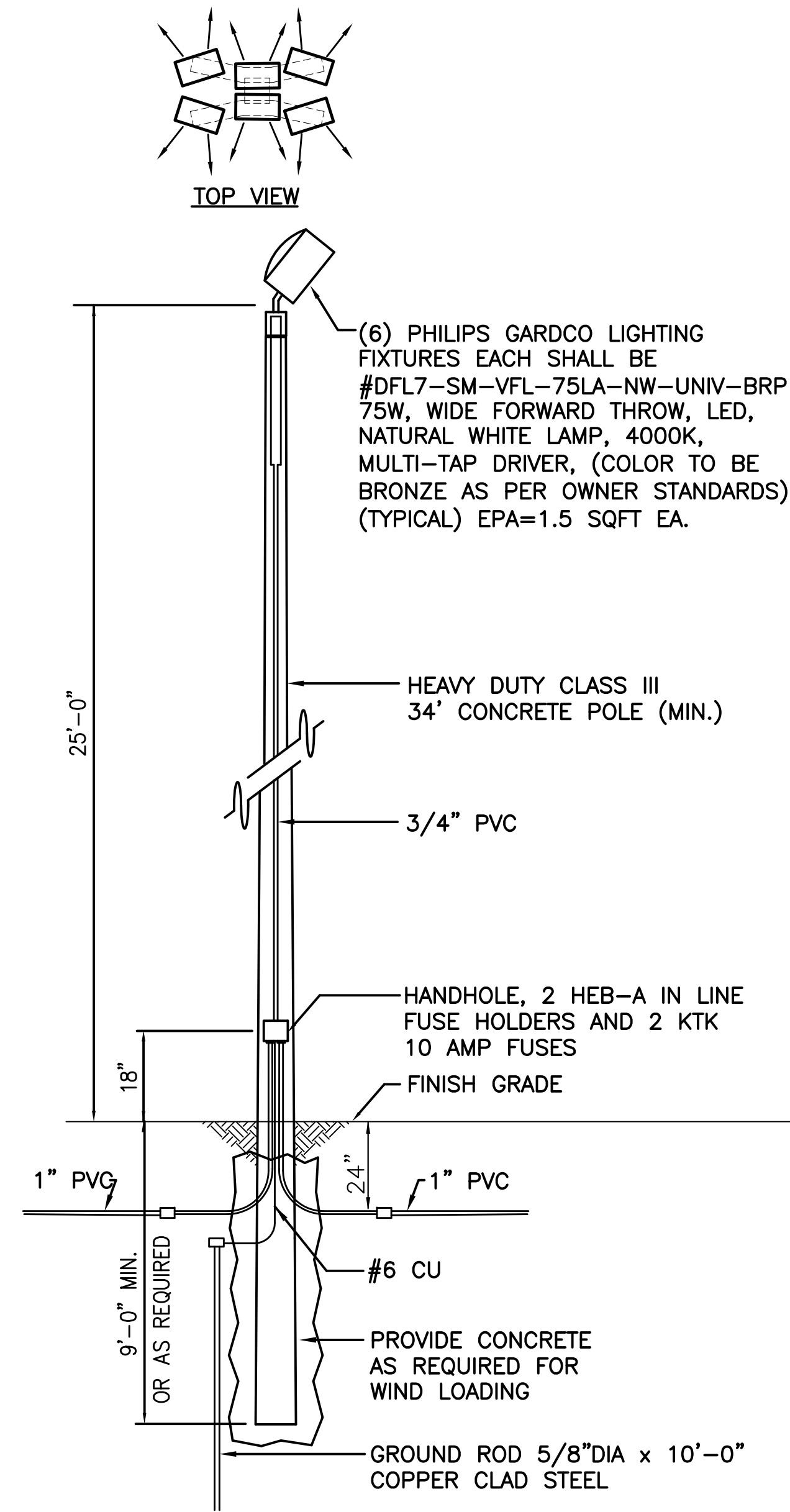
1401 FORUM WAY, SUITE #00  
WEST PALM BEACH, FLORIDA 33401  
561.684.6844 · Fax 561.684.6594  
gliddenspina.com  
FL Lic. # AZ26002399



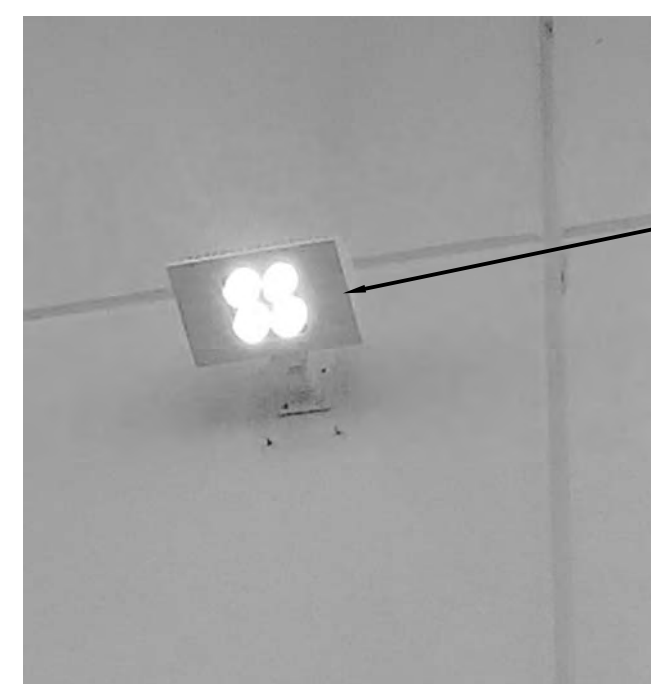
**LIGHT POLE DETAIL TYPE 'A'**  
N.T.S.



**LIGHT POLE DETAIL TYPE 'B'**  
N.T.S.



**LIGHT POLE DETAIL TYPE 'C'**  
N.T.S.



PHILIPS GARDCO LIGHTING FIXTURE #DFL7-W-VFL-75LA-NW-UNIV-BRP 75W, WIDE FORWARD THROW, LED, NATURAL WHITE LAMP, 4000K, MULTI-TAP DRIVER, (COLOR TO BE BRONZE AS PER OWNER STANDARDS) (TYPICAL) EPA=1.5 SQFT EA. MOUNTED AT 25' AFG.

**WALL MOUNT LIGHTING FIXTURE**  
NOT TO SCALE

**WIND LOADING NOTES:**

NOTE: ALL POLE INSTALLATIONS SHALL BE SUITABLE FOR WIND LOAD IN ACCORDANCE WITH THE FLORIDA BUILDING CODE. THE CONTRACTOR SHALL INCLUDE WITH THE SHOP DRAWING SUBMITTAL, A POLE WIND LOADING CALCULATION SEALED BY A STRUCTURAL ENGINEER REGISTERED IN FLORIDA SHOWING THAT THE PROPOSED INSTALLATION WILL MEET THE WIND LOADING REQUIREMENT.

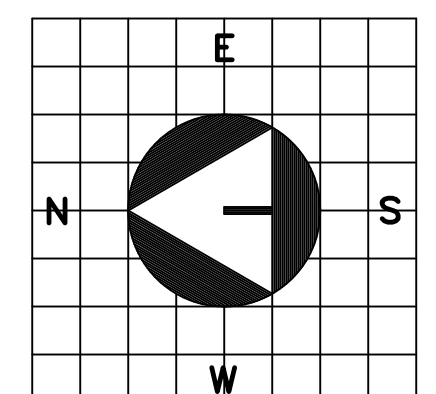
LARRY M. SMITH, P.E.  
Seal / FLORIDA REGISTRATION NO. 45997

**SEC** Smith Engineering  
Consultants, Inc.  
State Auth. #8228  
2161 Palm Beach Lake Blvd., Suite 312  
West Palm Beach, FL 33409  
(561) 616-3911 fax (561) 616-3912

**PHASE 1 & 3**  
**LIGHT POLE DETAILS**

PHASE 3 -  
PROPOSED INITIATION DATE - 10 YEARS

SCALE : NONE  
0 15' 30' 60' 120'



1401 FORUM WAY, SUITE #100  
WEST PALM BEACH, FLORIDA 33401  
561.684.6844 • Fax 561.684.5584  
gliddenspina.com  
FL Lic. # AA2600299



Architecture • Interior Design  
John Glidden # A66556 • Keith M. Spina # A81549

DEALERSHIP EXPANSION FOR:  
**EARL STEWART TOYOTA**

1215 U.S. HIGHWAY NO. 1  
LAKE PARK, FLORIDA

THESE DRAWINGS ARE FOR THE EXCLUSIVE USE OF GLIDDEN SPINA + PARTNERS, INC. AND MAY NOT BE DUPLICATED, REPRODUCED OR USED IN ANY MANNER WITHOUT THE EXPRESS WRITTEN CONSENT OF GLIDDEN SPINA + PARTNERS, INC. ALL RIGHTS RESERVED.

Sheet title: LIGHT POLE DETAILS  
File name: S14041-E1-E3.dwg

Revisions:

Project no: 13106  
Date: 03/14/14  
Drawn by: SPH  
Checked by: LMS

**E-3**